

# BC1202B



## Feature

1. COB with metal frame
2. 5x7 dots with cursor
3. Built-in controller ST7066 or equivalent
4. +5V single power supply
5. 1/16 duty cycle
6. B/L pins: 15, or A/K or 1/2
7. No negative voltage option

## Mechanical Data

Item	Standard Value	Unit
Module Dimension	55.7 x 32.0	mm
View Area	46.0 x 14.5	mm
Dot Size	0.45 x 0.60	mm
Dot Pitch	2.65 x 5.50	mm



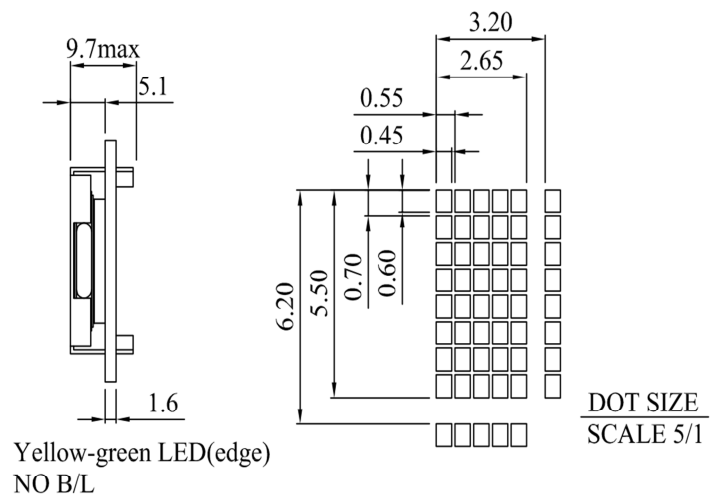
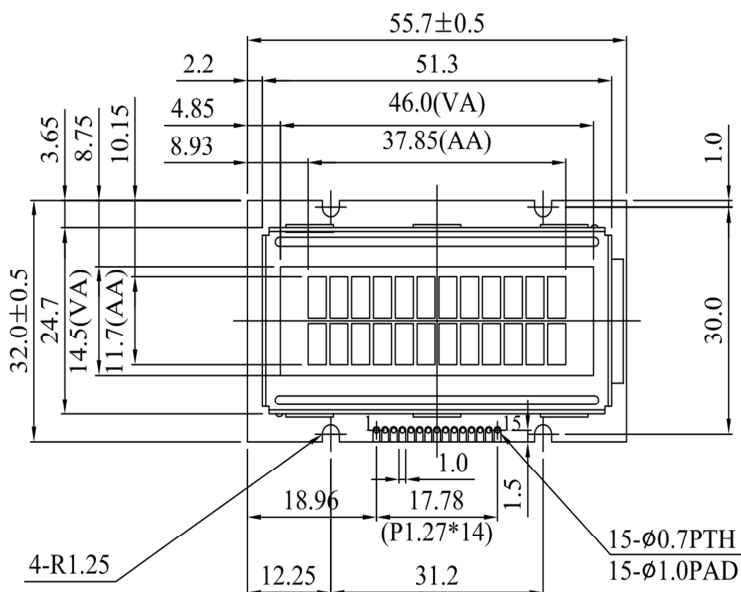
## Pin Assignment

Pin	Symbol	Function
1	Vss	GND
2	Vdd	+5V
3	Vo	Contrast adjustment
4	RS	H/L register select signal
5	R/W	H/L read/write signal
6	E	H --> L enable signal
7~14	DB0~7	H/L data bus line
15	A	Power supply for B/L (+)

## Electronic Characteristics

Item	Symbol	Condition	Typical Value	Unit
Input Voltage	Vdd	Vdd = +5V	5.0	V
Supply Current	Idd	Vdd = +5V	1.2	mA
LCD Driving Voltage	Vdd-Vo	25°C	4.2	V
LED Forward Voltage (yellow-green)	Vf	25°C	3.0	V
LED Forward Current	If	25°C	40	mA

## Dimension



DOT SIZE  
SCALE 5/1