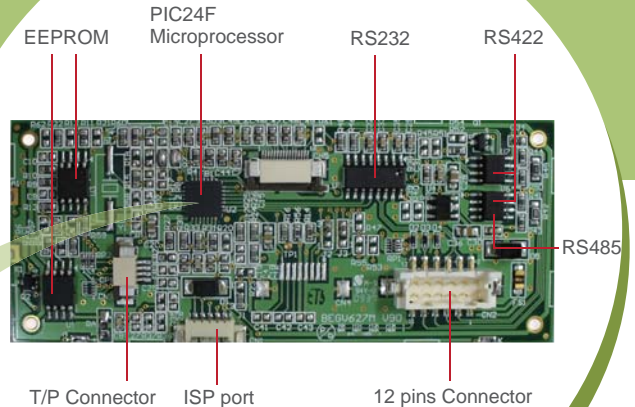


BEGV627M

µp Display Embedded System



Your 64KB application software here!

Features

- High performance, Low power PIC 16-bit microprocessor
- Built-in 64KB ISP Flash memory / 8KB SRAM
- On board updateable 64KB EEPROM (128KB option)
- 1 x RS485 / 422 / 232, 1 x RS232
- Current consumption 180mA
- On-chip power-on reset (POR) and programmable watchdog reset
- 128 x 64 monochrome STN LCD
- Comprehensive set of development tools and application notes for self programming
- RS485 / 422 / 232 driver, I²C EEPROM driver, touch panel driver, LCM driver and utility are supported
- Dimension (W x H x D): 93 x 70 x 15mm

Hardware Specifications

Processor

- Microchip PIC24FJ64GA002 16-bit microprocessor

Memory

- 64KB in-system programmable flash
- 8KB internal SRAM
- 64KB x 1 external I²C CMOS EEPROM (option: 64KBx2)

Display Interface

- Support I²C 128 x 64 monochrome STN LCD (edge LED white backlight)

Certifications

- CE Class B (NO.CB10101101)

RS232 / 422 / 485 Port

- Support dual serial port, one is three-wired RS232, another is shared in among RS232/422/485 port by option

Touch Panel Interface

- Support four-wired resistive touch panel interface

Software Utilities

- Support RS232 / 422 / 485 driver, I²C EEPROM driver, touch panel driver, and LCM driver for free

DC Requirement

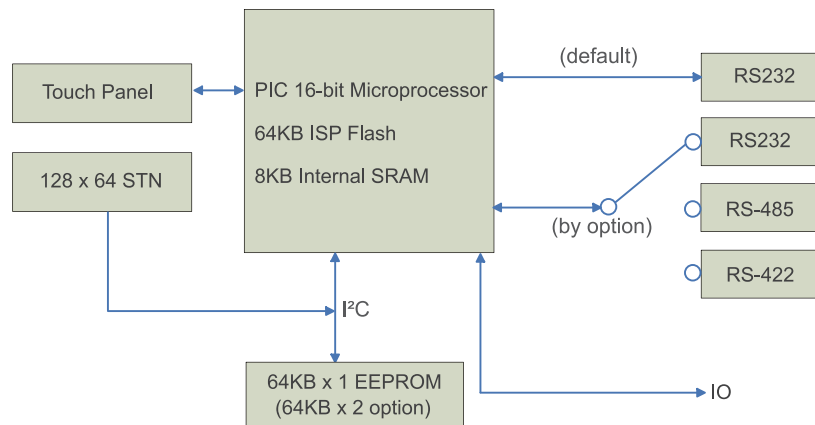
- DC4.5V~5.5V



Packing List

- BEGV627M Embedded System
- User Manual
- Software Utility Disc
- ICD 3 and ISP Cable (option)

BEGV627M BLOCK DIAGRAM



Pin Mapping Table

PIN NO.	Signal	PIN NO.	Signal
1	VDD	7	422TP/485P/TX1
2	GND	8	IOA
3	422RP	9	422TN/485N/RX1
4	TX0	10	IOB
5	422RN	11	/RST
6	RX0	12	IOC

Order Information

Parts NO.	Description	RS232-A	RS232-B	RS422	RS485
BEGV627M	Dual RS232	☆	☆		
BEGV627M1	One RS232	☆			
BEGV627M2	One RS232/One RS422	☆		☆	
BEGV627M3	One RS232/One RS485	☆			☆

Display: FSTN/Gray LCD,LED/White Backlight(Default)

