

BL12832D



Sunlight Readable & Ultra Brightness



Feature

1. OLED display 128 x 32 dots
2. Built-in controller SPD1307
3. +3.3 V power supply
4. 1/32 duty cycle
5. Color: white
6. Interface: SPI, I²C

Mechanical Data

Item	Standard Value	Unit
Module Dimension	40 x 11.5	mm
Viewing Area	24.38 x 7.58	mm
Dot Size	0.155 x 0.155	mm
Dot Pitch	0.175 x 0.175	mm

Pin Assignment

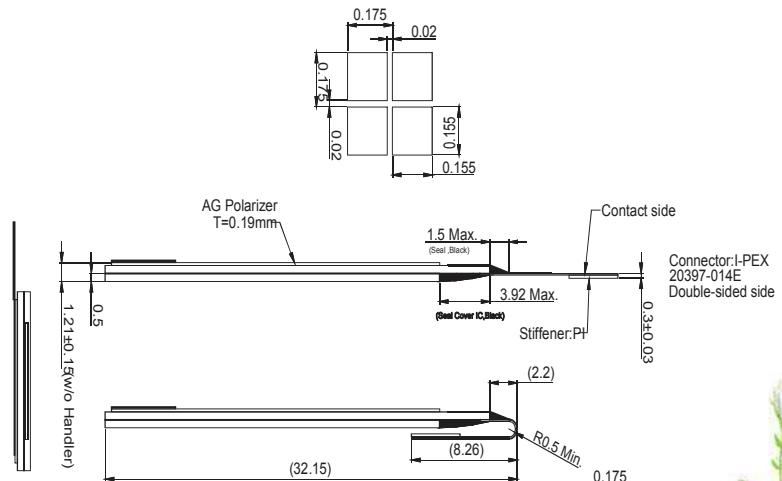
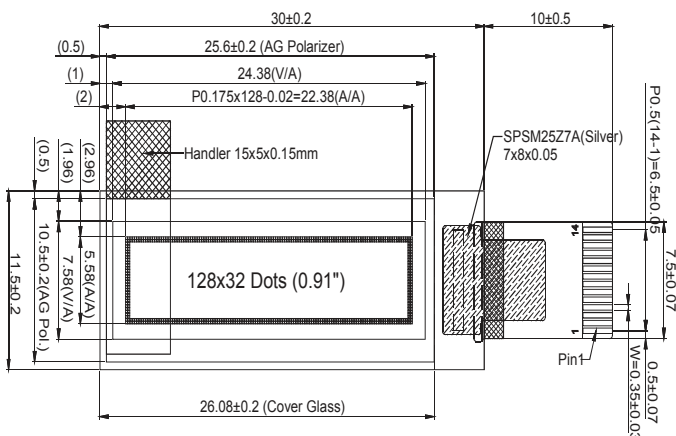
Pin	Symbol	Function
1	VCC	Power supply for panel driving voltage
2	VLSS	Ground pin. It should be connected to VSS externally.
3	VDD	Power supply for logic circuit.
4	CS#	Chip select input.
5	RES#	Reset signal input.
6	D/C#	This is Data/Command control pin. In I ² C mode, this pin acts as SA0 for slave address selection.
7	D0	SPI : Serial clock input (SCLK). I ² C: NC
8	D1	SPI: Serial data input(SDIN). I ² C: Data input/output (SDA)
9	D2	SPI: NC. I ² C: Clock input (SCL)
10	IREF	Reference current input pin. A resistor should be connected between this pin and VSS.
11	VCOMH	Com Voltage Output. A capacitor should be connected between this pin and VSS.
12	VCC	Power supply for panel driving voltage.
13	BS1	MCU bus interface selection pin.
14	VSS	Ground pin.

Electronic Characteristics

Item	Symbol	Condition	Typical Value	Unit
Input Voltage	Vdd	Vdd = +3.3V	3.3(Typ.)	V
Supply Current	Idd	Vdd = +3.3V	12.5(Max.)	mA
Pixel Brightness	Lu	Vdd = +3.3V	300	cd/m ²

* Contrast setting:0X75,Color: white ,Pixel all on

Dimension



Connector: I-PEX 20397-014E Double-sided side